

**BACKHOE LOADER**

860 SX      880 SX  
860 ELITE    880 ELITE

**Specification**

Operating Weight	7370 kg
Net Engine Power	74.5 kW (100 hp)
Dig Depth	4438 – 5782 mm

**Benefits**

- Engine emission compliant to EU Stage 3A, US EPA Tier 3
- 500 hours service period
- 4 speed synchro shuttle or powershift gearbox
- High transport speed for reduced highway journey times
- Foot operated differential lock for ease of operation
- High capacity long life sealed wet disc brakes
- Selectable 2 or 4 wheel braking
- Closed centre flow sharing hydraulics
- Cleanable hydraulic oil coolers

## Specification

Engine	
Engine Model	1104D-44T
Capacity	4.4 ltr
Rated Speed	2200 rpm
Gross Power @ 2200 rpm Cert. Rating to UN/ECE R120	74.5 (100*) kW (hp)
Derived Net Rating @ 2200 rpm to ISO/80/1269/EC	70.3* (94*) kW (hp)
Max Torque @ 1400 rpm UN/ECE R120 ISO 80/1269/EC	392 Nm 373* Nm

\*Nominal Non-Certified Values

Synchro Shuttle Transmission			
Tyres		860 SX	880 SX
	Front	16/70 x 20	16/70 x 20
	Rear	18.4 x 26	16.9 x 30
Travel Speeds (forward/reverse)			
1st		5.9 km/h	6.1 km/h
2nd		9.5 km/h	9.9 km/h
3rd		19.8 km/h	20.6 km/h
4th		37.5 km/h	38.9 km/h

Powershift Transmission			
Tyres		860 Elite	880 Elite
	Front	16/70 x 20	16/70 x 20
	Rear	18.4 x 26	16.9 x 30
Travel Speeds (forward)			
1st		5.9 km/h	6.1 km/h
2nd		9.7 km/h	9.9 km/h
3rd		21.9 km/h	21.8 km/h
4th		40.0 km/h	41.2 km/h
Travel Speeds (reverse)			
1st		5.9 km/h	6.1 km/h
2nd		9.7 km/h	9.9 km/h
3rd		21.9 km/h	21.8 km/h

Loader Performance		
	Standard Shovel	7-in1 Shovel
Shovel Breakout	54,675 N	53,890 N
Arms Breakout	48,565 N	51,820 N
Lift Capacity To Full Height	3984 kg	3593 kg

Backhoe Attachments			
Attachments	Width	Capacity	Weight
Trench Bkts	305 mm	83 ltrs	94 kg
	450 mm	124 ltrs	112 kg
	600 mm	184 ltrs	134 kg
	600 mm	233 ltrs	143 kg
	750 mm	248 ltrs	155 kg
	900 mm	312 ltrs	177 kg
Ditch cleaning	1525 mm	220 ltrs	145 kg
	1830 mm	300 ltrs	176 kg
Sq hole bucket	900 mm	125 ltrs	160 kg

Total Machine Weight	
Total Machine Weight	7370 kg
<i>Add/Delete</i>	
7 in 1 Multi - Purpose	+330 kg
7 in 1 Multi - Purpose Fork Kit	+150) kg
Deep Dig Dipper	+217 kg
Powershift	+160 kg

Axles and Brakes		
Axle Ratings	Tyres	SAE J43
Front	16/70 x 20	6300 kg
Rear	16.9 x 30	6155 kg

Hydraulics	
Main Pump @ 2200 rpm	80 lpm
Secondary Pump @ 2200 rpm	80 lpm
System Main Relief Setting @ 2200 rpm	225 bar
Unloader Settings @ 2200 rpm	207 bar
Combined flow	160 l/min

Electrics	
12 volt system	
Battery step mounted for good access	
Low maintenance battery	
100 A alternator	
Connectors sealed against water and dust	
33 circuit fuses	
25 circuit relays	
Battery isolator	

Capacities	
Fuel Tank	130 ltrs
Engine Coolant	16.0 ltrs
Engine Oil (inc. Filter)	8.5 ltrs
Transmission	15.0 ltrs
Transmission Powershift	18.0 ltrs
Rear Axle	17.5 ltrs
Front Axle (4WD)	12.5 ltrs
Hydraulic System	143 ltrs

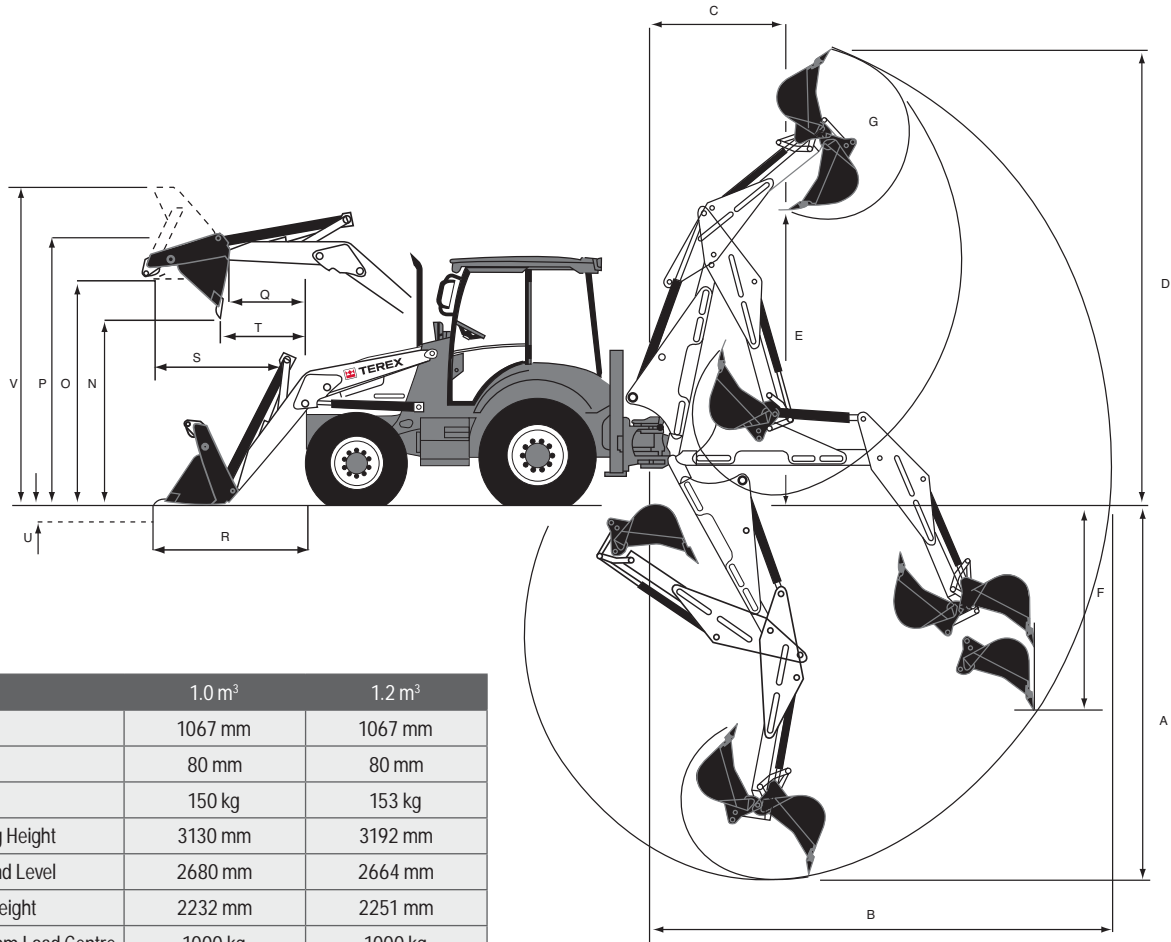
Turning Circles		
	Over Tyres	Over Bucket
Without Brakes	7.9 m	10.6 m
With Brakes	7.0 m	9.7 m

Depending on tyre size

Loader Attachments			
		Standard Shovel	7-in1 Shovel
860 SX	Width	2311 mm	2311 mm
	Capacity	1.0 m <sup>3</sup>	1.0 m <sup>3</sup>
	Weight	400 kg	730 kg
860 Elite	Width	2387 mm	2387 mm
	Capacity	1.2 m <sup>3</sup>	1.2 m <sup>3</sup>
	Weight	430 kg	767 kg



## Working Ranges



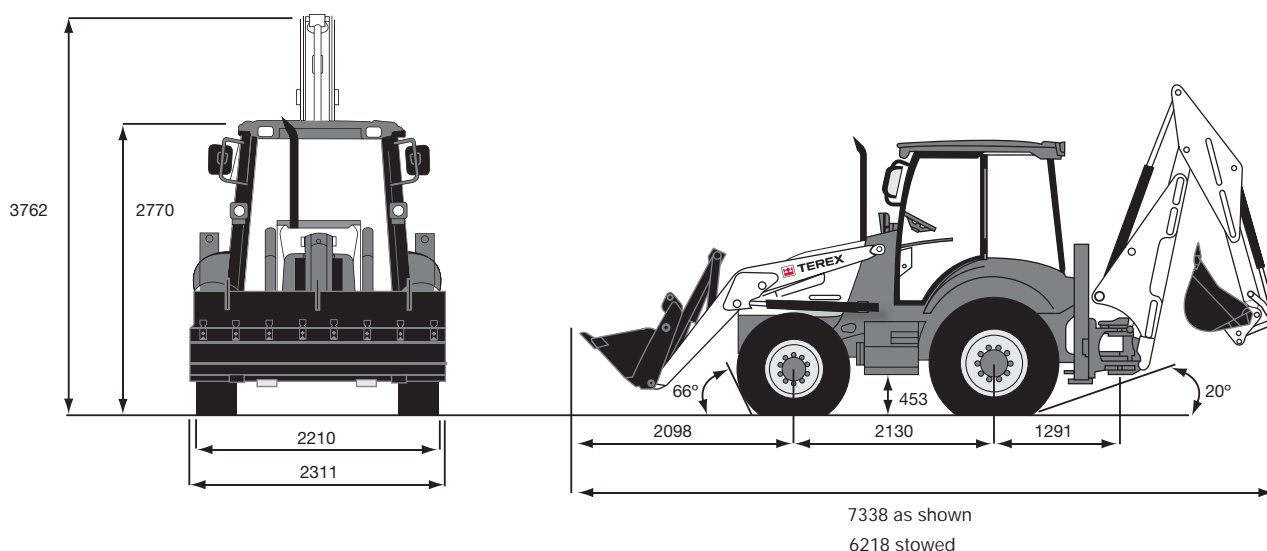
Forks	1.0 m <sup>3</sup>	1.2 m <sup>3</sup>
Fork Length	1067 mm	1067 mm
Section Width	80 mm	80 mm
Assembly w	150 kg	153 kg
Max. Operating Height	3130 mm	3192 mm
Reach at Ground Level	2680 mm	2664 mm
Reach at Full Height	2232 mm	2251 mm
S.W.L. at 500mm Load Centre	1000 kg	1000 kg

Backhoe Dimensions		Standard Dipper	Deep Dig Dipper	
			Ret	Ext
A	Dig Depth - Maximum SAE	4438 mm	4438 mm	5782 mm
	2ft Flat Bottom SAE	4422 mm	4422 mm	5771 mm
B	Reach - Ground Level to Slew	5726 mm	5726 mm	7017 mm
C	Loading Reach	1996 mm	1996 mm	2924 mm
D	Operating Height	5692 mm	5692 mm	6670 mm
E	Loading Height SAE	3586 mm	3586 mm	4564 mm
	Max Load Height	3904 mm	3904 mm	4882 mm
F	Maximum Straight Wall Dig Depth	2569 mm	2569 mm	3958 mm
G	Bucket - Rotation	194°	194°	194°
	Total Side Shift	1286 mm	1286 mm	1286 mm
	Stabiliser Spread	2115 mm	2115 mm	2115 mm
	Max Levelling Angle	8°	8°	8°

Loader Dimensions		Standard 7 Shovel	7-in-1 Shovel
N	Dump Clearance at 45°	2741 mm	2741 mm
	Dump Height (Fully Dumped)	2662 mm	2662 mm
O	Loadover Height	3343 mm	3343 mm
P	Hinge Pin Height	3583 mm	3583 mm
Q	Pin Forward Reach	352 mm	352 mm
R	Reach at Ground	1600 mm	1600 mm
S	Max. Reach at Full Height	1282 mm	1282 mm
T	Reach at Full Height- 45°	829 mm	829 mm
	Reach at Full Height- Fully Dumped	645 mm	645 mm
U	Dig Depth	123 mm	123 mm
	Rollback at Ground	45°	45°
	Max Dump Angle	57°	57°
V	Overall Operating Height	4263 mm	4313 mm

Backhoe Performance		Standard Dipper	Deep Dig Dipper	
			Ret	Ext
Slew Torque	16,100 Nm	16,100 Nm	16,100 Nm	
Dipper Tearout	38,700 N	38,700 N	25,930 N	
Bucket Tearout	51,585 N	51,585 N	51,585 N	
Hydraulic Lift Capacity (Including Bucket)	1564 kg	1297 kg	918 kg	

## Dimensions



## Specifications

Cab	
Low internal noise level of just 78 dBA	Air re-circulation enables quick warm up on cold days
Large areas of tinted glass allow superb all round visibility	Two front and two rear defrosting vents
Low line curved hood enhances forward visibility	Powerful 3 speed heater supplies a further two forward and three rear vents
Full depth rear window for comprehensive visibility to the trench	Air conditioning option available
In the raised position the rear window provides ventilation yet gives protection from rain	Extensive stowage facilities
Door windows can be partially or fully opened for maximum ventilation	Heavy duty easy to clean rubber floor mat
Cab is ROPS and FOPS approved for operator comfort	Twin externally mounted rear view mirrors
Well laid out controls for ease of operation	Hazard warning and full lighting controls
Touch operated switches for operator convenience	Audible/visual warning covering park brake, transmission oil temp, engine coolant, engine oil pressure, hydraulic oil filter and air cleaner
Instrumentation easy to clean	
Spacious interior giving ample room to the operator at both work stations	Visual indication on 4wd engagement, hazard lights, main beam, battery charge, direction indicators and front / rear wipers
Wide door opening, self-cleaning steps and large grab rails make access easy	
Adjustable tilt steering wheel to suit all operating styles	Adjustable rear working lights
Fully adjustable suspension seat with lap belt maximises operator comfort	

Effective Date: 01 November 2008. Product specifications and prices are subject to change without notice or obligation. The photographs and/or drawings in this document are for illustrative purposes only. Refer to the appropriate Operator's Manual for instructions on the proper use of this equipment. Failure to follow the appropriate Operator's Manual when using our equipment or to otherwise act irresponsibly may result in serious injury or death. The only warranty applicable to our equipment is the standard written warranty applicable to the particular product and sale and Terex makes no other warranty, express or implied. Products and services listed may be trademarks, service marks or trade-names of Terex Corporation and/or its subsidiaries in the USA and other countries. All rights are reserved. Terex is a registered trademark of Terex Corporation in the USA and many other countries. © 2011 Terex Corporation. ♻️ Printed on material using 55% recycled fibre from both pre and post-consumer sources, together with 45% virgin ECF fibre from sustainable forests.

TEREX509UK

Terex United Kingdom Limited  
Central Boulevard, ProLogis Park, Coventry, England CV6 4BX  
Tel +44 (0) 2476 339400 Fax +44 (0) 2476 339500  
Email enquiries@terexce.com www.terex.co.uk

